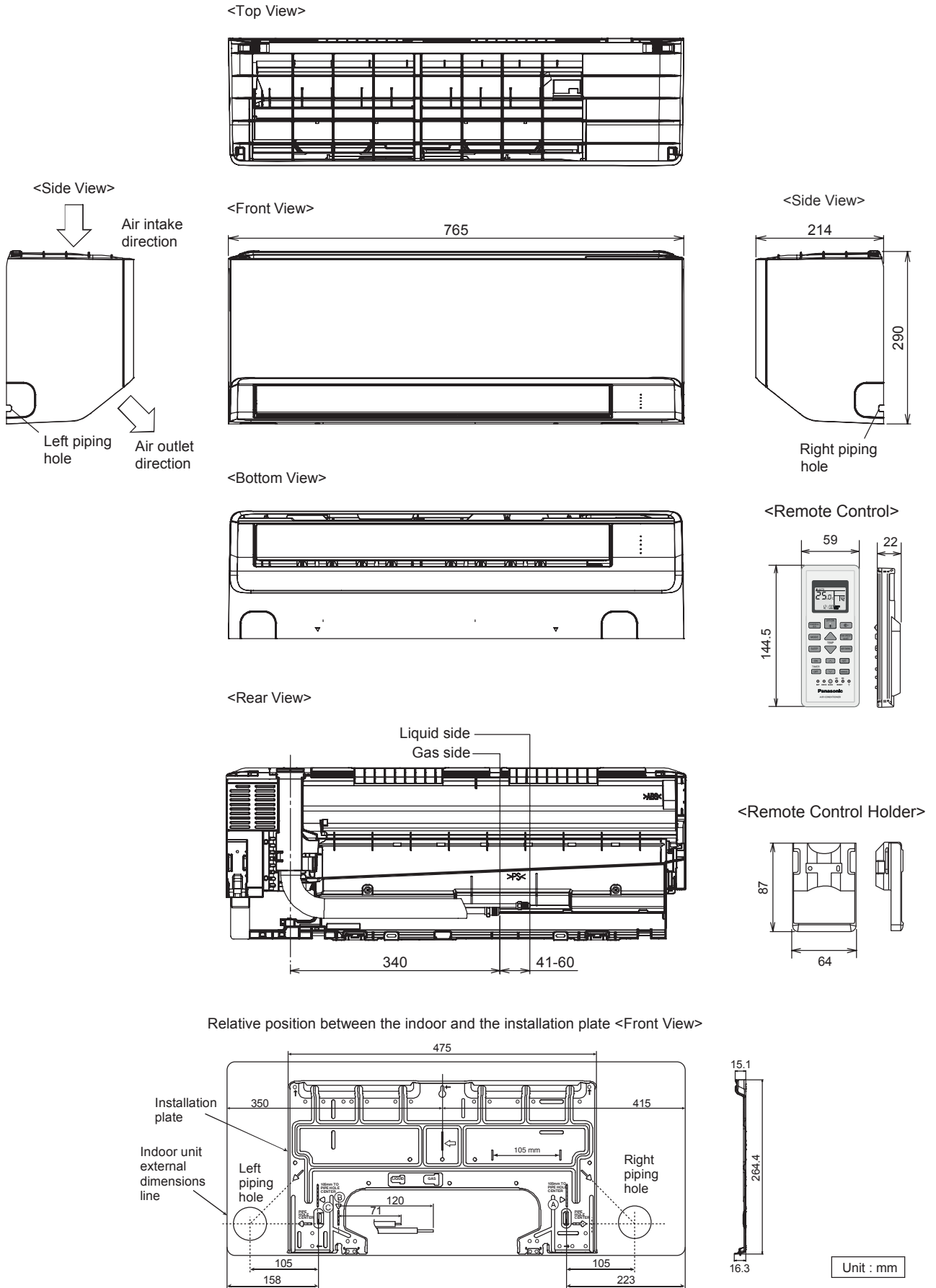


Dimensions

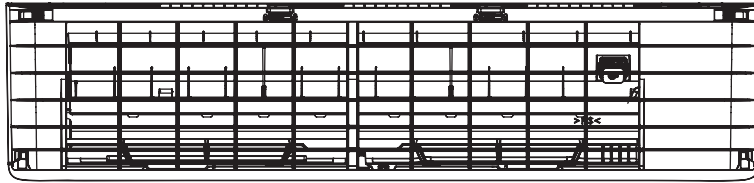
1. Indoor Unit

1.1 CS-LU9AKH-8 / CS-LU12AKH-8 / CS-LU18AKH-8

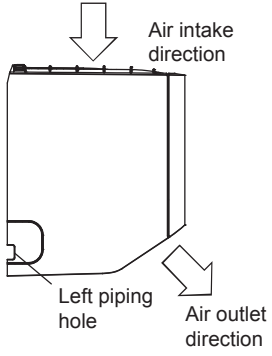


1.2 CS-LU24AKH-8

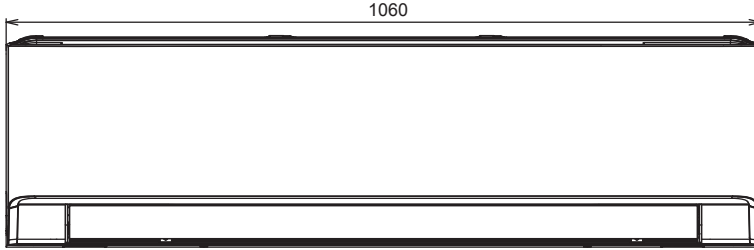
<Top View>



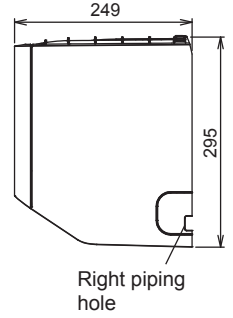
<Side View>



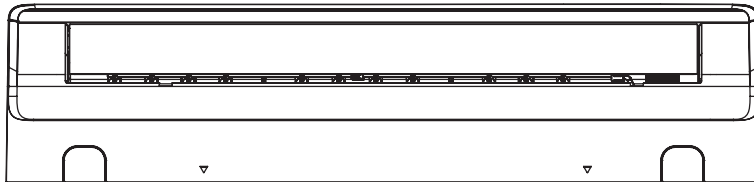
<Front View>



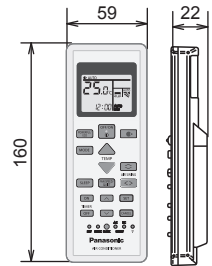
<Side View>



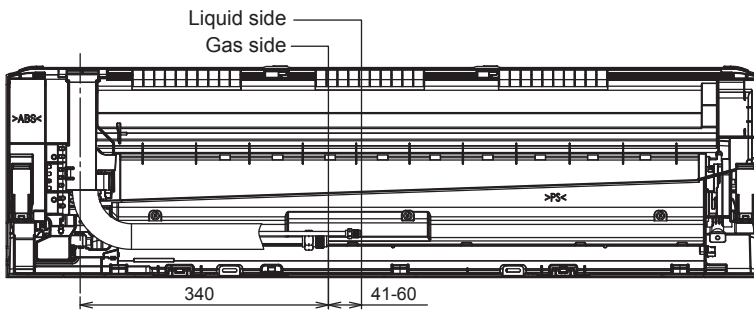
<Bottom View>



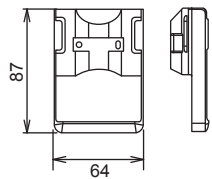
<Remote Control>



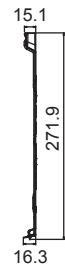
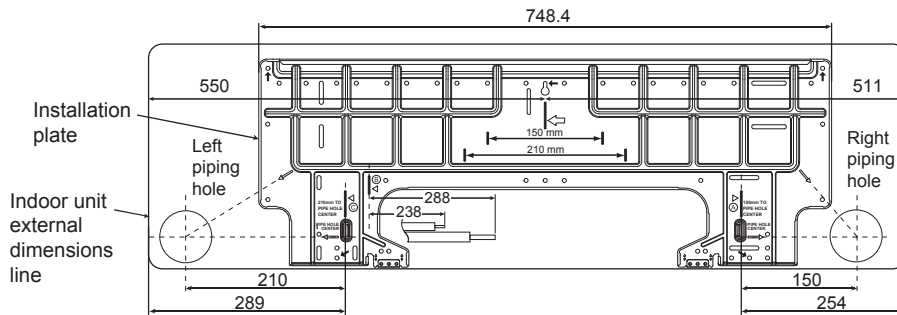
<Rear View>



<Remote Control Holder>



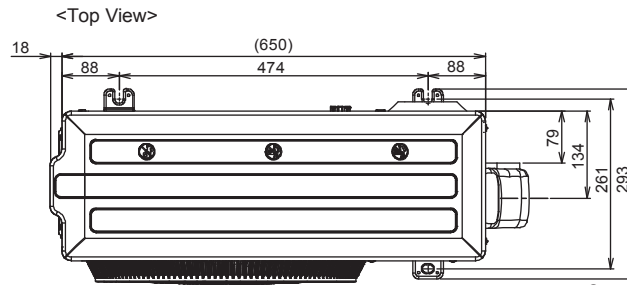
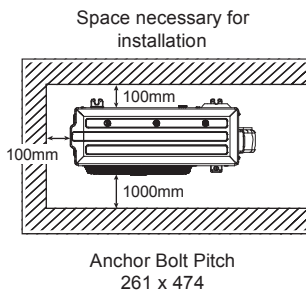
Relative position between the indoor and the installation plate <Front View>



Unit : mm

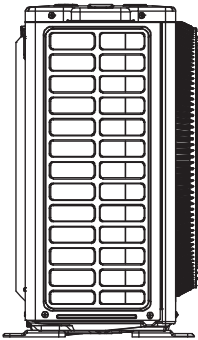
2. Outdoor Unit

2.1 CU-RU9AKH

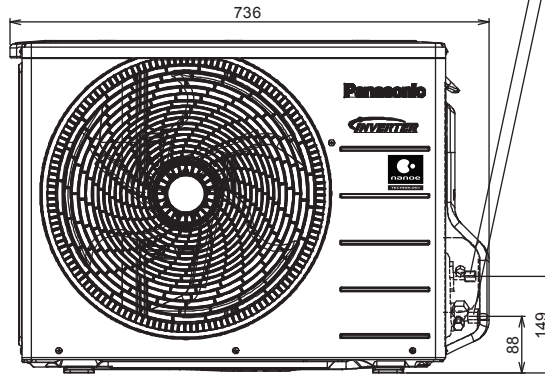


2-way valve at Liquid side
(High Pressure)
3-way valve at Gas side
(Low Pressure)

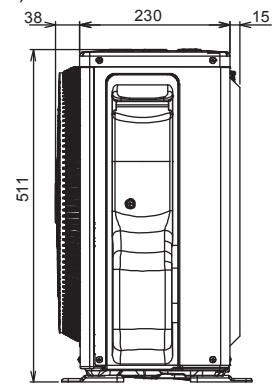
<Side View>



<Front View>

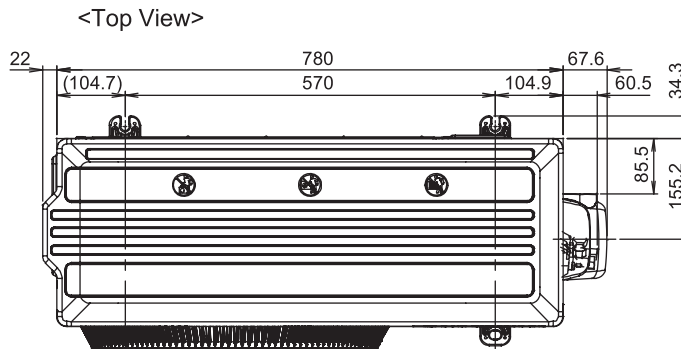
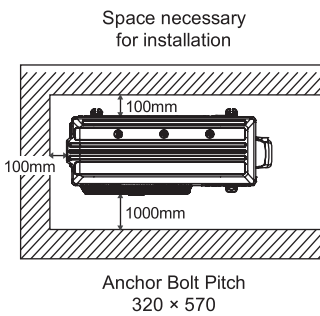


<Side View>



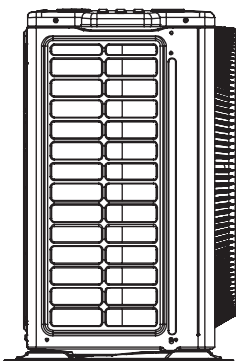
Unit : mm

2.2 CU-RU12AKH

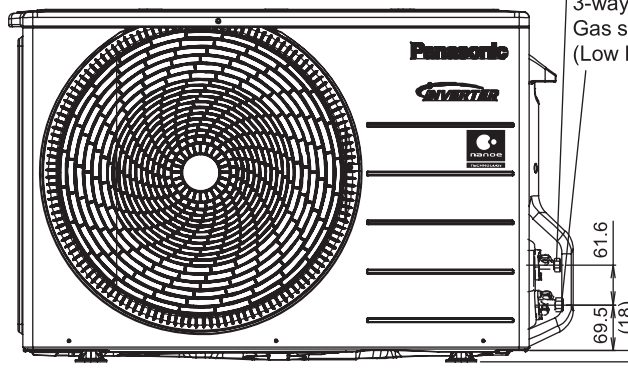


2-way valve at
Liquid side
(High Pressure)

<Side View>

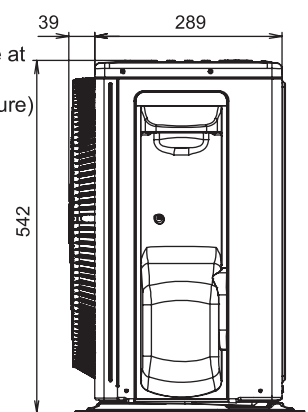


<Front View>



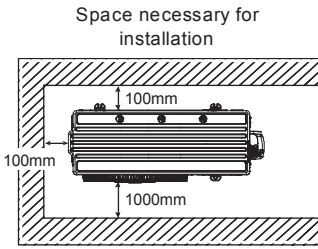
3-way valve at
Gas side
(Low Pressure)

<Side View>



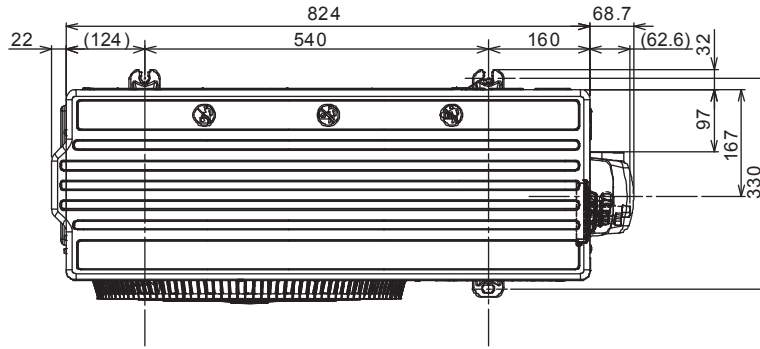
Unit: mm

2.3 CU-RU18AKH

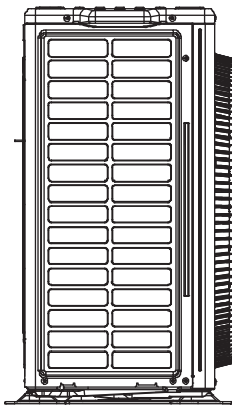


Anchor Bolt Pitch
330 x 540

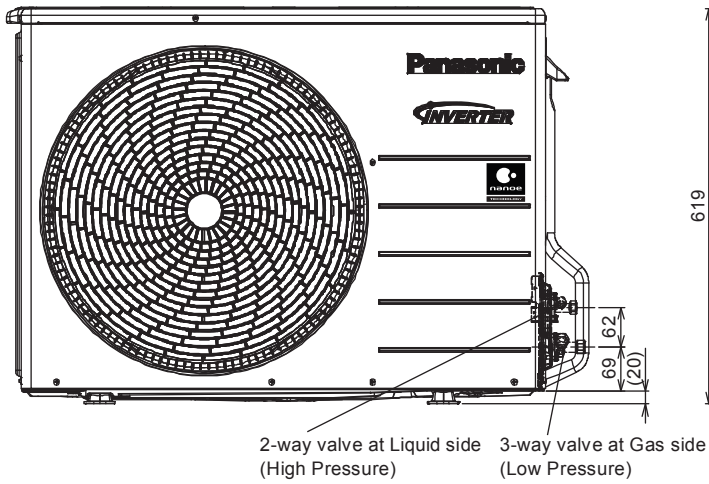
<Top View>



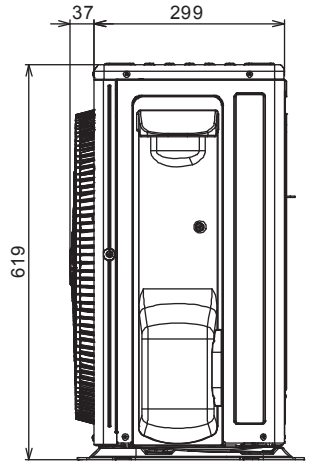
<Side View>



<Front View>

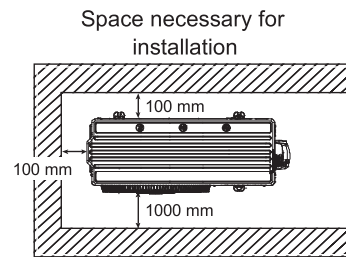


<Side View>



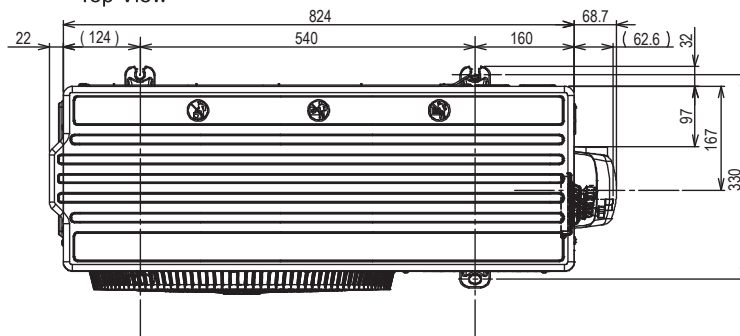
Unit : mm

2.4 CU-RU24AKH

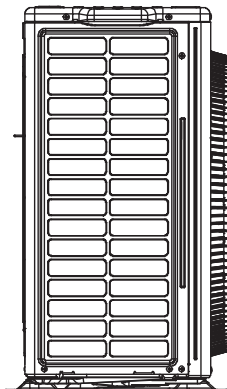


Anchor Bolt Pitch
330 x 540

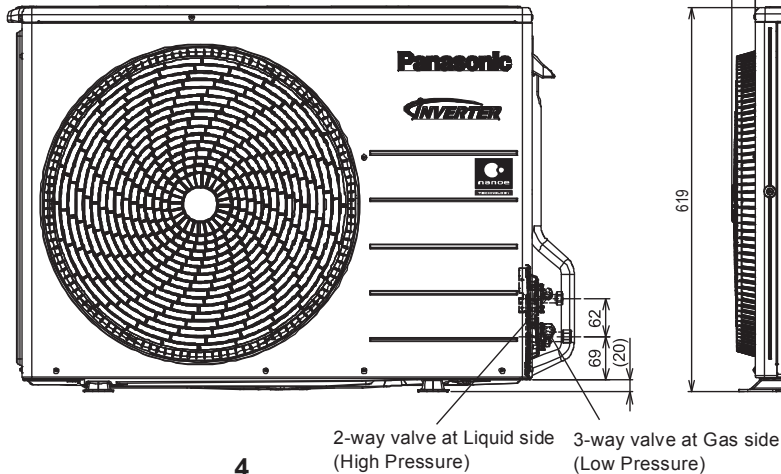
<Top View>



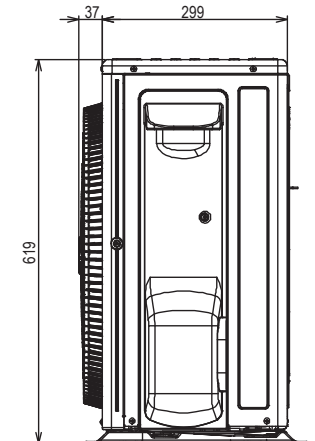
<Side View>



<Front View>



<Side View>



Unit: mm